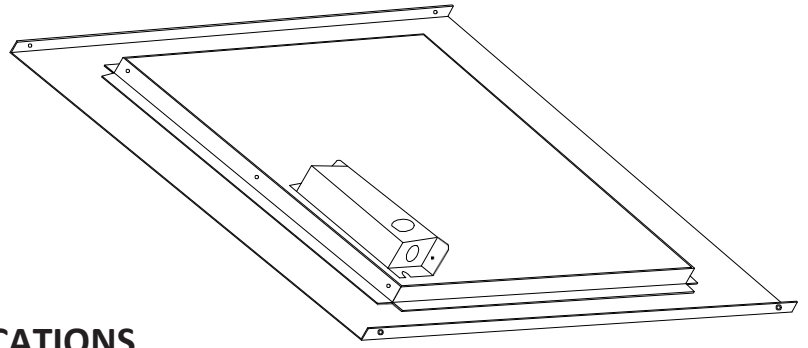


22901 Aurora Road
 PO Box 46730
 Bedford Heights, OH 44146
 www.electricheat.com



ARCHITECT'S AND ENGINEER'S SPECIFICATIONS

Furnish and install where indicated on the Drawings, "High Efficiency Ceramic Infrared Panel" heaters manufactured by Radiant Electric Heat. Bedford Heights, Ohio.

CONSTRUCTION

Heating Elements: Porcelain enamel coated 18 gauge steel plate, with energizing ceramic circuit on internal face of heating element; minimum 1.9 watts per square inch of emissive surface area.

Heater Body: 20 gauge steel, high temperature resistant powder coating. Provided with manufacturer's standard 1.5 foot leads, high density foil backed insulation, enclosure, and junction box.

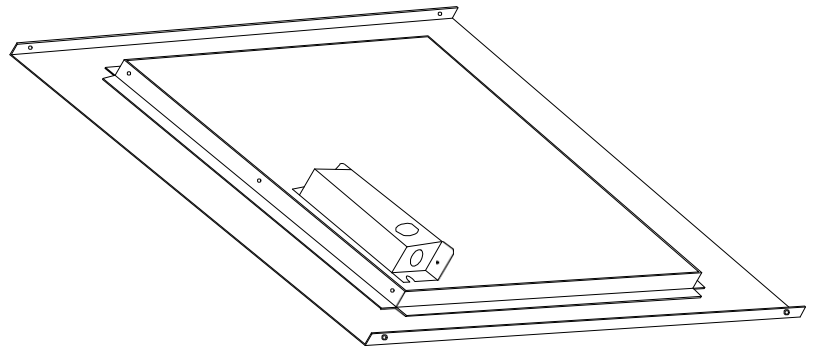
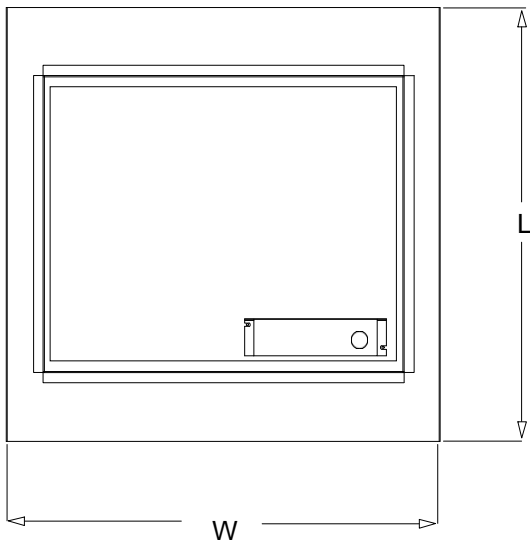
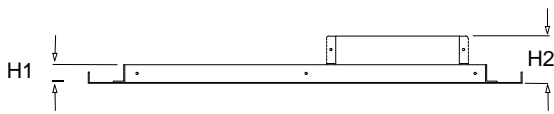
Accessories: Provide as indicated: thermostat, NEMA 1 Enclosure control panel, and 3 foot flexible conduit in lieu of junction box.

Installation: Install heating units where indicated, in accordance with manufacturer's written instructions, applicable requirements of IEC, in compliance with recognized industry practices to ensure products fulfill requirements.

ACCESSORIES & CONTROLS

| MODEL | INSTALLATION | WATTS | VOLTS/AMPS | SHIPPING WEIGHT |
|--------|--------------|-------|---|-----------------|
| 1624CL | LAY-IN | 625 | 120 VAC / 5.2 A 208 VAC / 3.0 A 240 VAC / 2.6 A 277 VAC / 2.3 A | 21 lbs |
| 1248CL | LAY-IN | 750 | 120 VAC / 6.2 A 208 VAC / 3.6 A 240 VAC / 3.1 A 277 VAC / 2.7 A | 21 lbs |
| 1648CL | LAY-IN | 1250 | 120 VAC / 10.4 A 208 VAC / 6.0 A 240 VAC / 5.2 A 277 VAC / 4.6 A | 38 lbs |

*RADIANT ELECTRIC HEAT RESERVES THE RIGHT TO CHANGE SPECIFICATIONS WITHOUT PRIOR NOTICE.



| Model | Watts | W | L | H1 | H2 |
|--------|-------|--------|--------|-------|-------|
| 1624CL | 625 | 23.75" | 23.75" | 1.25" | 2.75" |
| 1248CL | 750 | 47.75" | 11.75" | 1.25" | 2.75" |
| 1648CL | 1250 | 47.75" | 23.75" | 1.25" | 2.75" |