



DROP-IN CEILING PANEL

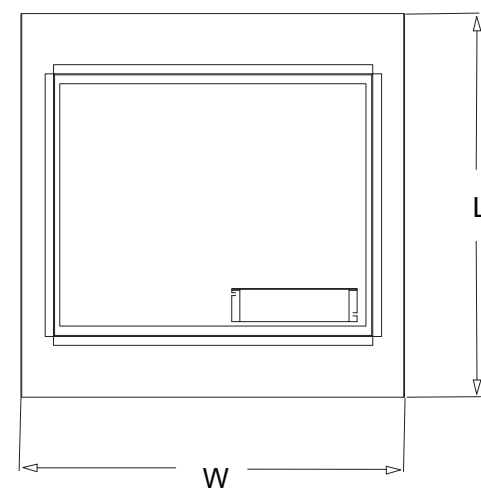
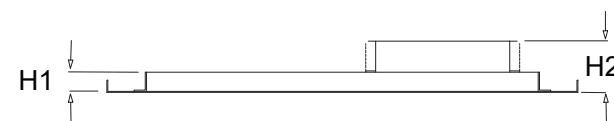
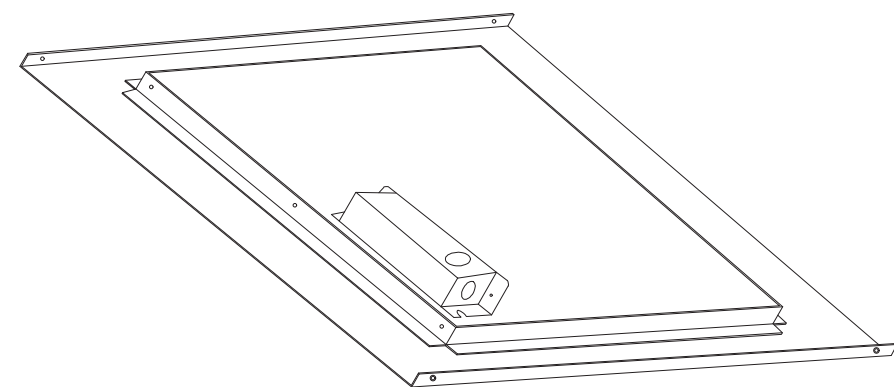
OPERATION MANUAL



22901 AURORA ROAD
PO BOX 46730
BEDFORD HEIGHTS OH 44146
1-800-774-4450



GENERAL



Model	Watts	L	W	H1	H2
1624CL	625	23.75"	23.75"	1.25"	2.75"
1248CL	750	11.75"	47.75"	1.25"	2.75"
1648CL	1250	23.75"	47.75"	1.25"	2.75"

INSTALLATION INSTRUCTIONS

Heaters are hard wired directly to the electrical main. Junction boxes are not required except as indicated by local code or inspection requirements. Wiring procedures and connections should be in accordance with the National Electric Code (NEC) and local codes Connection box is 4.62 in3 (75.69 cm3).

To reduce the risk of fire, dont not store or use gasoline or other flammable vapors and liquids in the vicinity of the heater.

CAUTION – High temperature, risk of fire, keep electrical cords, drapery, furnishings, and other combustibles at least 3 feet (0.9 m) from the front of the heater and away from the side and the rear.

Grounding is required for each heater. Remove all construction debris (plaster, sawdust, etc) from interior and exterior of the heater. Do not install heaters against combustible low density cellulose fiberboard surfaces. Heaters are not to be placed below an electrical convenience receptacle. Do not cover with insulation. Install heaters at least 6 inches (15.24 cm) from drapes, sprinkler heads, and fire detection equipment; 24 inches (61 cm) from adjacent walls; and 24 inches (61 cm) from any other heater.

1. Remove all packing material.
2. Place heater assembly in suspension grid.
3. Secure according to local building and electrical codes.
4. Connect mains to heater lead wires.
5. Check tightness of all electrical connections. Inspect all connections for short circuits.

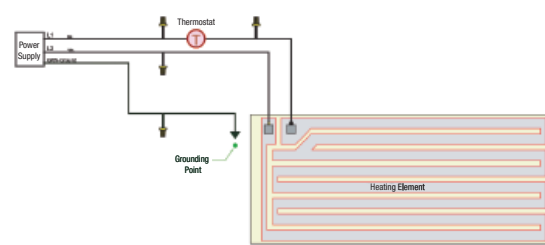


Figure 1: Standard Wiring Diagram

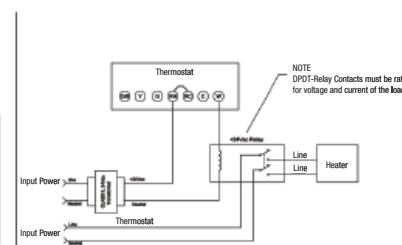


Figure 2: Typical 24Vac Thermostat Wiring Diagram

OPERATING INSTRUCTIONS

1. Heater must be properly installed before it is used.
2. Refer to the thermostat or controller's operating instructions for proper usage.

MAINTENANCE INSTRUCTIONS

Maintenance of your CeramicCircuit™ heater is generally not necessary. However, is the heater becomes dirty or dusty, clean as follows.

1. Turn off the power at the circuit breaker panel.
2. Wait for the heating element to cool.
3. Clean area with a dry cloth.
4. Restore Power.

All other servicing is to be done by a qualified service professional.

IMPORTANT INSTRUCTIONS

When using electrical appliances, basic precautions should always be followed to reduce the risk of fire, electric shock, and injury to persons, including the following:

1. Read all instructions before using this heater.
2. This heater is hot when in use. To avoid burns, do not let bare skin touch hot surfaces. Keep combustible materials, such as furniture, pillows, bedding, papers, clothes, etc. and curtains at least 3 feet (0.9m) from the front of the heater and keep them away from the sides and rear.
3. Extreme caution is necessary when any heater is used by or near children or invalids and whenever the heater is left operating and unattended.
4. Do not operate any heater after it malfunctions. Disconnect power at service panel and have heater inspected by a reputable electrician before reusing.
5. Do not use outdoors.
6. To disconnect heater, turn controls to off, and turn off power to heater circuit at main disconnect panel.
7. Do not insert or allow foreign objects to enter any ventilation or exhaust opening as this may cause an electric shock or fire, or damage the heater.
8. To prevent a possible fire, do not block air intakes or exhaust in any manner.
9. A heater has hot and arcing or sparking parts inside. Do not use it in areas where gasoline, paint or flammable vapors or liquids are used or stored.
10. Use this heater only as described in this manual. Any other use not recommended by the manufacturer may cause fire, electric shock, or injury to persons.

SAVE THESE INSTRUCTIONS