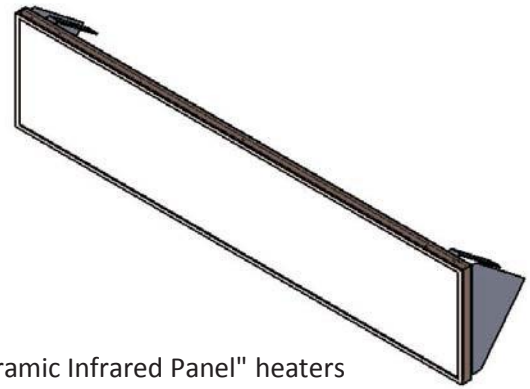


22901 Aurora Road, P.O. Box 46730
 Bedford Heights, OH 44146
 www.electricheat.com



ARCHITECT'S AND ENGINEER'S SPECIFICATIONS

Furnish and install where indicated on the Drawings, "High Efficiency Ceramic Infrared Panel" heaters manufactured by Radiant Electric Heat, Bedford Heights, Ohio. Heaters shall be UL listed.

CONSTRUCTION

Heating Elements: Porcelain enamel coated 18 gauge steel plate, with energizing ceramic circuit on internal face of heating element; minimum 2.3 Watts per square inch of emissive surface area.

Heater Body: 20 gauge steel, high-temperature resistant powder coating. Provided with manufacturer's standard 7/8 inch knockouts for power feed.

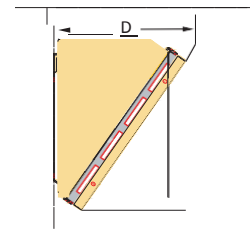
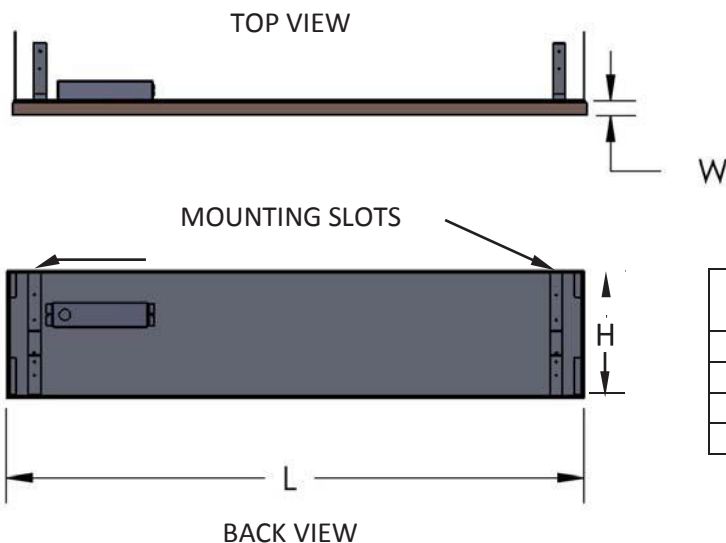
Accessories: Provide as indicated, thermostat, NEMA 1 Enclosure control panel, and mounting brackets for models specified.

Installation: Install heating units where indicated, in accordance with manufacturer's written instructions, applicable requirements of IEC, in compliance with recognized industry practices to ensure products fulfill requirements. Secure in place with mounting brackets. Top of heater unit and trim shall be level. Where heating units are mounted adjacent to each other, the top edges shall be at the same height.

ACCESSORIES & CONTROLS

MODEL	INSTALLATION	WATTS	VOLTAGE	AMPS	SHIPPING WEIGHT
632C	COVE	585	120 240 208 277		11 lbs
645C	COVE	825	120 240 208 277		15 lbs
945C	COVE CEILING	1,000	120 240 208 277		20 lbs
1445C	COVE CEILING	1,500	120 240 208 277		28 lbs

*RADIANT ELECTRIC HEAT RESERVES THE RIGHT TO CHANGE SPECIFICATIONS WITHOUT PRIOR NOTICE.



Cove Model	Watts	L	H	W	D
632C	585	33"	7"	1.125"	5.5"
645C	825	46"	7"	1.125"	5.5"
945C	1000	46"	10"	1.125"	7.5"
1445C	1500	46"	15"	1.125"	10"