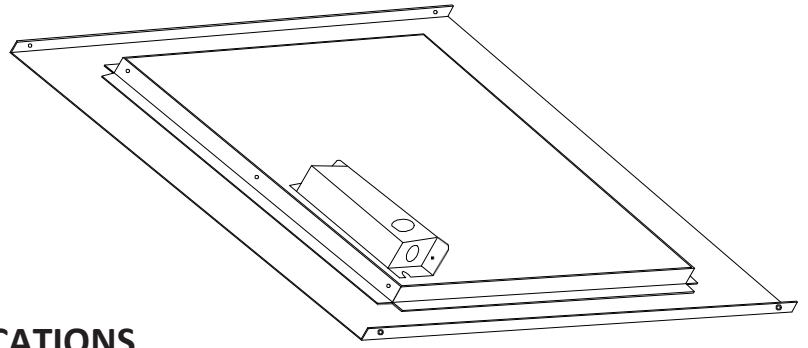




22901 Aurora Road
 PO Box 46730
 Bedford Heights, OH 44146
 www.electricheat.com



ARCHITECT'S AND ENGINEER'S SPECIFICATIONS

Furnish and install where indicated on the Drawings, "High Efficiency Ceramic Infrared Panel" heaters manufactured by Radiant Electric Heat. Bedford Heights, Ohio.

CONSTRUCTION

Heating Elements: Porcelain enamel coated 18 gauge steel plate, with energizing ceramic circuit on internal face of heating element; minimum 1.9 watts per square inch of emissive surface area.

Heater Body: 20 gauge steel, high temperature resistant powder coating. Provided with manufacturer's standard 1.5 foot leads, high density foil backed insulation, enclosure, and junction box.

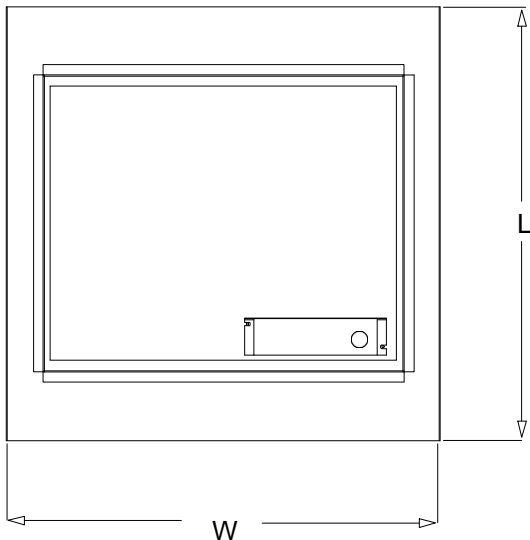
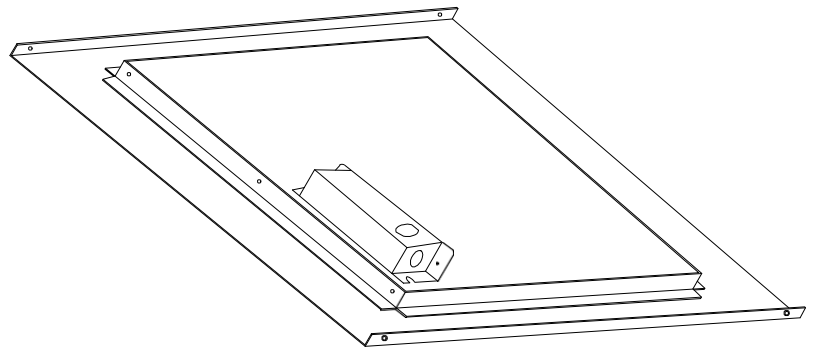
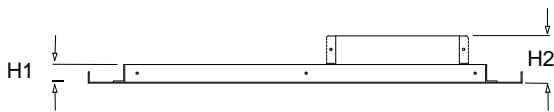
Accessories: Provide as indicated: thermostat, NEMA 1 Enclosure control panel, and 3 foot flexible conduit in lieu of junction box.

Installation: Install heating units where indicated, in accordance with manufacturer's written instructions, applicable requirements of IEC, in compliance with recognized industry practices to ensure products fulfill requirements.

ACCESSORIES & CONTROLS

MODEL	INSTALLATION	WATTS	VOLTS/AMPS	SHIPPING WEIGHT
1624CL	LAY-IN	625	120 VAC / 5.2 A 208 VAC / 3.0 A 240 VAC / 2.6 A 277 VAC / 2.3 A	21 lbs
1248CL	LAY-IN	750	120 VAC / 6.2 A 208 VAC / 3.6 A 240 VAC / 3.1 A 277 VAC / 2.7 A	21 lbs
1648CL	LAY-IN	1250	120 VAC / 5.2 A 208 VAC / 3.0 A 240 VAC / 2.6 A 277 VAC / 2.3 A	38 lbs

*RADIANT ELECTRIC HEAT RESERVES THE RIGHT TO CHANGE SPECIFICATIONS WITHOUT PRIOR NOTICE.



Model	Watts	W	L	H1	H2
1624CL	625	23.75"	23.75"	1.25"	2.75"
1248CL	750	47.75"	11.75"	1.25"	2.75"
1648CL	1250	47.75"	23.75"	1.25"	2.75"